	<b>TECHNICAL SPECIFICATION</b>		<b>TS 6002</b>	
Initially written by, date	Revision, prepared by	Revision, checked by	Revision, date	Page
T.Bauer, 2014-09-15	M.Svoboda	T.Bauer	Rev 2, 2016-11-03	1 / 2

## ALKALIZATION SYSTEM FOR WATER COOLED GENERATORS

### ALKALIZER SKID FOR GENERATOR STATOR COOLING WATER SYSTEMS

- Creates alkaline water chemistry (pH 8.5-9.0) by injecting NaOH
- Controls pH reliably with a tolerance of  $\pm 0.05$
- Compact rack with all instruments, controls and injection devices in one place
- Connects with two 3/8" OD pipes to the system
- Pressure-resistant up to 10 bar
- Can be controlled as island solution or tied into the plant system
- Several failsafe measures to prevent over-injection
- Low and simple maintenance (yearly refilling of stock solution, depending on design)
- Extra low maintenance hybrid solution available (refilling of stock solution every 3 years)

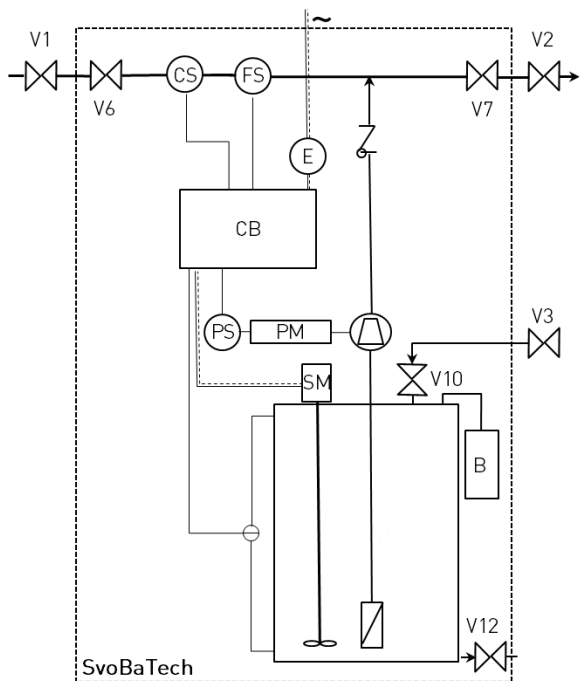
### KEY COMPONENTS

<b>Conductivity meter</b>	Indirect monitoring of pH
<b>Controls</b>	Electronic control for injection, including alarm and trip points
<b>Tank</b>	NaOH solution storage tank; with level indicator, mixer, makeup water connection and breathing filter (CO <sub>2</sub> trap)
<b>Injection Pump</b>	Membrane pump with adjustable stroke length and frequency

### TECHNICAL DATA

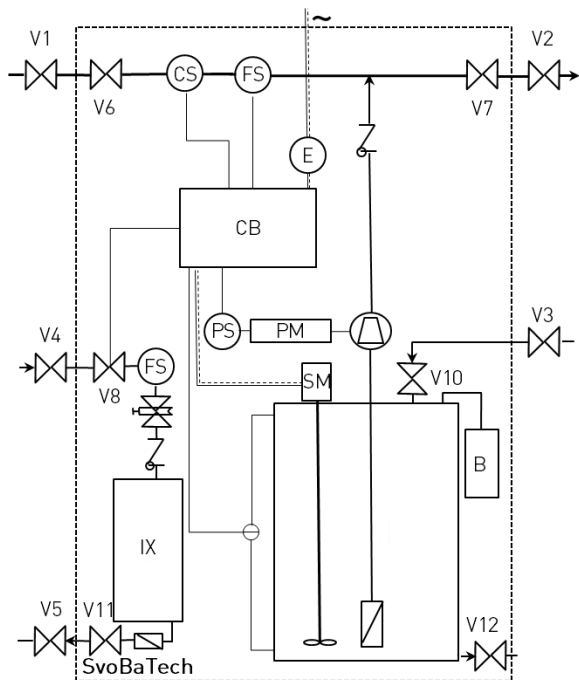
<b>Dimensions</b>	H: 2000 mm, W: 750 mm, L: 750 mm (H: 6.56 ft, W: 2.46 ft, L: 2.46 ft)	
<b>Weight</b>	75 kg empty, 215 kg during operation	
<b>Interfaces</b>	Liquid interfaces	Two 3/8" OD connections
	Demineralized water	1/2" OD connection
	SvoBaTech Hybrid Alkalization	Two additional 1/2" connections
	Electrical connection	120 VAC/60 Hz or 240 VAC/50 Hz
<b>Power requirements</b>	500 Watt max	
<b>Pressure rating</b>	10 bar (145 psi)	

**TECHNICAL DRAWING**



- V6, V7 Interface valves 3/8" alkalization
- V10 Interface valve 1/2" make-up water
- V1, V2 Isolation valves (plant)
- V1 – V2 "Alkalizer Bypass"
- V12 Tank drain valve
- CS Conductivity sensor
- FS Flow sensor and meter
- CB Control box
- PS Main pump switch
- PM Pump motor
- SM Stirrer motor
- B Breathing filter
- E Main Emergency Switch
- ~ Power supply 110V, 60Hz
- Pump
- Tank
- Strainer
- Check valve
- Stirrer
- Level indicator

SvoBaTech Alkalizer Standard Model



- V6, V7 Interface valves 3/8" alkalization
- V8, V11 Interface valves 1/2"
- V10 Interface valve 1/2" make-up water
- V1, V2 Isolation valves (plant)
- V1 – V2 "Alkalizer Bypass"
- V12 Tank drain valve
- CS Conductivity sensor
- FS Flow sensor and meter
- CB Control box
- PS Main pump switch
- PM Pump motor
- SM Stirrer motor
- B Breathing filter
- E Main Emergency Switch
- IX Mixed bed
- ~ Power supply 110V, 60Hz
- Pump
- Tank
- Strainer
- Check valve
- Stirrer
- Level indicator

SvoBaTech Alkalizer low maintenance Hybrid Model